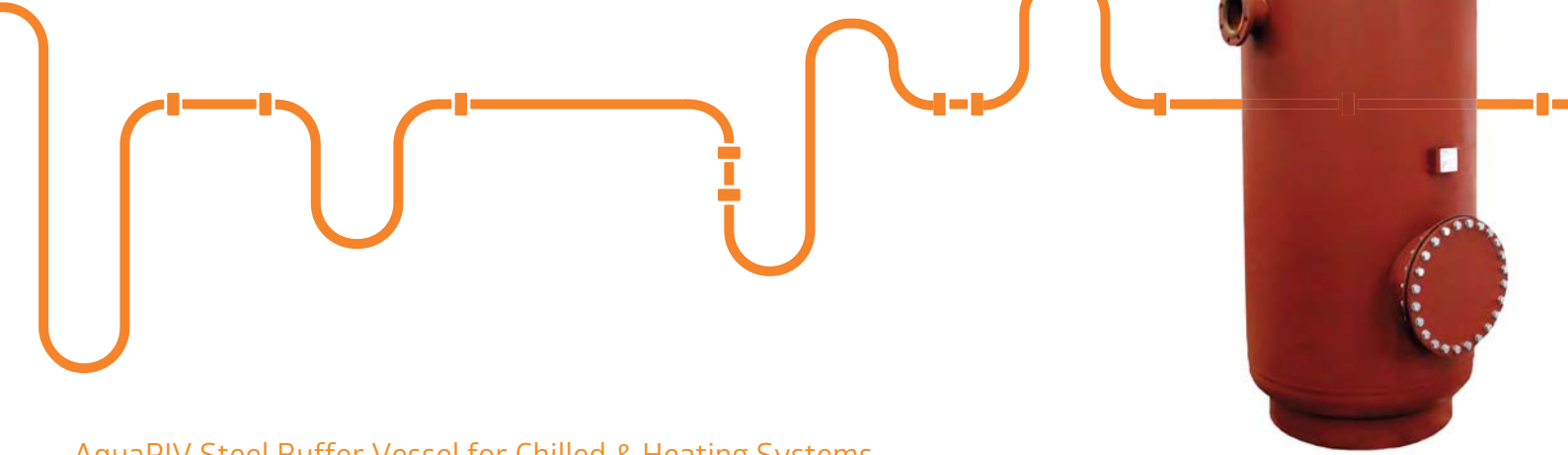


# AQUAPIV Steel Buffer Vessel

Standard Storage Capacities - 300 to 30,000 litres



## AquaPIV Steel Buffer Vessel for Chilled & Heating Systems

HRS AquaPIV buffer vessels are manufactured from high quality mild steel and can be insulated with mineral wool mattresses and encased in dimpled aluminium cladding. The insulation is fully vapour sealed on chilled water applications as standard.

- Designed for use in heating and chilled systems
- Working pressures up to 10.0 BarG as standard
- Mild steel shell as standard
- Supplied fully insulated (optional)

HRS AquaPIV buffer vessels can be installed in chilled water systems to prevent rapid cycling of the chillers and installed in heating systems to reduce the boiler load during peak primary periods. The standard vessels range from 300 to 30,000 litres as per the dimensions shown.

HRS can manufacture vessels up to 100,000 litres with dimensions and connections to suit site requirements. We can also accommodate any bespoke requirements such as baffle plates, sparge pipes or diffusers.

All HRS vessels are designed and manufactured in accordance with the Pressure Equipment Directive. The vessel models are available as 6 BarG and 10 BarG as standard. Higher pressures and temperatures than those stated are available upon request.

## AquaPIV Operating Conditions

6.0 BarG (as standard) / 10.0 BarG (available upon request)  
Maximum Working Temperature: 100°C



**Head Office**  
10-12 Caxton Way, Watford.  
WD18 8JY t. 01923 232335

[mail@hrs.co.uk](mailto:mail@hrs.co.uk)

**North & Factory**  
No 1 Rosemount Works, Elland  
HX5 0EE t. 01422 317070

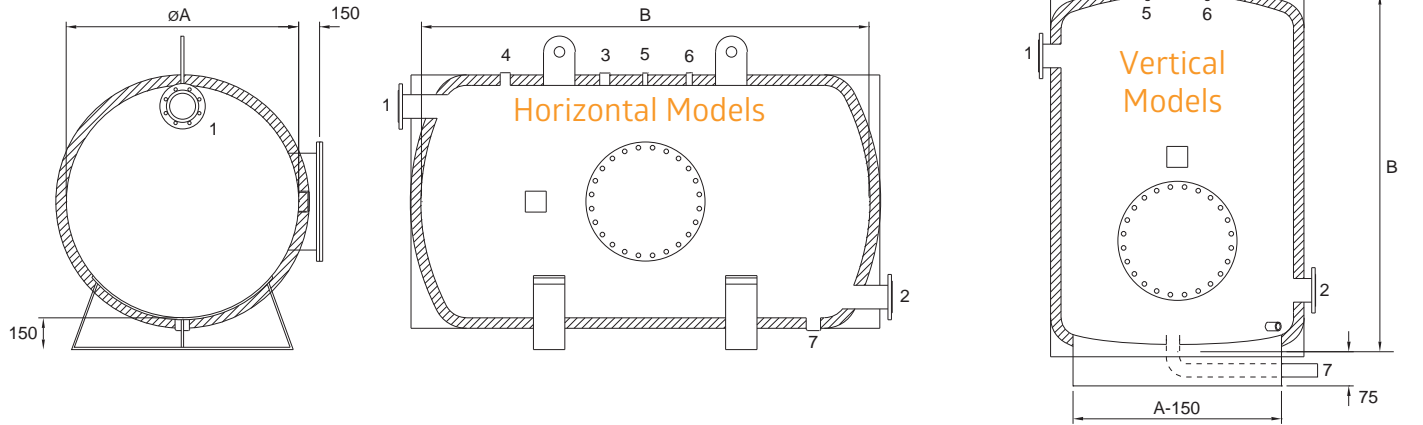
[www.hrshevac.co.uk](http://www.hrshevac.co.uk)



# AquaPIV Technical Information

## Key

- 1&2 System Connections (2off)
- 3 Safety Valve
- 4 Vent Connection
- 5 Thermometer Connection
- 6 Pressure Gauge Connection
- 7 Drain Connection



## AquaPIV Selection Details

Different dimensions available upon request.

Capacity (Litres)	Diameter (A) (mm)	Over Ends (B) (mm)	Overall Dim. (mm)	Access Size (NB)	Main Connections		Dry Weight (kg)	
					1 & 2	7	6 BarG	10 BarG
300	500	1650	1925	2" BSP	2" BSP	1" BSP	104	104
350	600	1380	1655	DN250	2" BSP	1" BSP	110	110
400	600	1530	1805	DN250	2" BSP	1" BSP	120	120
450	600	1740	2015	DN250	2" BSP	1" BSP	134	134
500	700	1440	1715	DN250	2" BSP	1" BSP	146	146
600	700	1695	1970	DN250	2" BSP	1" BSP	164	164
700	800	1560	1835	DN250	DN65	1" BSP	189	189
800	800	1750	2025	DN250	DN65	1" BSP	205	205
900	900	1610	1885	DN250	DN65	1" BSP	222	273
1,000	900	1730	2005	DN250	DN65	1" BSP	233	290
1,250	1000	1770	2045	DN450	DN100	2" BSP	334	334
1,500	1100	1770	2045	DN450	DN100	2" BSP	371	371
1,750	1100	2030	2305	DN450	DN100	2" BSP	415	415
2,000	1200	1985	2260	DN450	DN100	2" BSP	445	445
2,250	1200	2200	2475	DN450	DN100	2" BSP	485	485
2,500	1200	2420	2695	DN450	DN100	2" BSP	525	525
3,000	1400	2175	2450	DN450	DN100	2" BSP	568	748
4,000	1400	2830	3105	DN450	DN100	2" BSP	705	930
5,000	1600	2745	3020	DN450	DN150	2" BSP	898	1058
6,000	1600	3240	3515	DN450	DN150	2" BSP	1016	1216
7,000	1800	3040	3315	DN600	DN150	2" BSP	1109	1618
8,000	1800	3430	3705	DN600	DN150	2" BSP	1215	1793
9,000	2000	3175	3450	DN600	DN150	2" BSP	1296	1887
10,000	2000	3495	3770	DN600	DN200	2" BSP	1403	2058
12,500	2200	3630	3905	DN600	DN200	2" BSP	1692	2431
15,000	2400	3690	3965	DN600	DN200	2" BSP	1855	3290
17,500	2600	3690	3965	DN600	DN200	2" BSP	2397	3626
20,000	2800	3670	3945	DN600	DN200	2" BSP	2589	3915
25,000	2800	4485	4760	DN600	DN200	2" BSP	3038	4629
30,000	3000	4695	4970	DN600	DN200	2" BSP	3399	6391